

Uniprep™ 7 Rotary Scraping Tool

This large diameter rotary scraping tool is for all SDR rated pipe between 630mm - 1200mm. The tool features a unique design with an expanding body that grips the internal diameter of the pipe to ensure scraping/peeling consistency.

It's easy to use, with a spring loaded scraping tip to accommodate irregular shaped pipe, and has excellent performance characteristics.

FEATURES

- Single or double scrape cutting tip
- Lightweight aluminum body
- Spring loaded cutting tip for irregular shaped pipe
- Swivel cutting tip for increased pipe scrape
- Easy to use shaft with crank handle
- 640mm scrape length
- 0.25mm ± 0.05mm cut depth

Optional

- Spare blade
- Expanding body (450mm - 630mm)

Uniprep™ 7 Rotary Scraping Tool

Scraping Tools

Technical Specification

Max Dimensions [HxWxD]	1300 x 1360 x 1300mm
Min Dimensions [HxWxD]	760 x 875 x 1275mm
Weight	24kg
Finish	Natural / Zinc passivate to Aluminium / Stainless Steel / Mild Steel parts
Scrape Length	640mm
Depth of Cut	0.25mm ± 0.05mm
Pipe Range	630mm - 1200mm

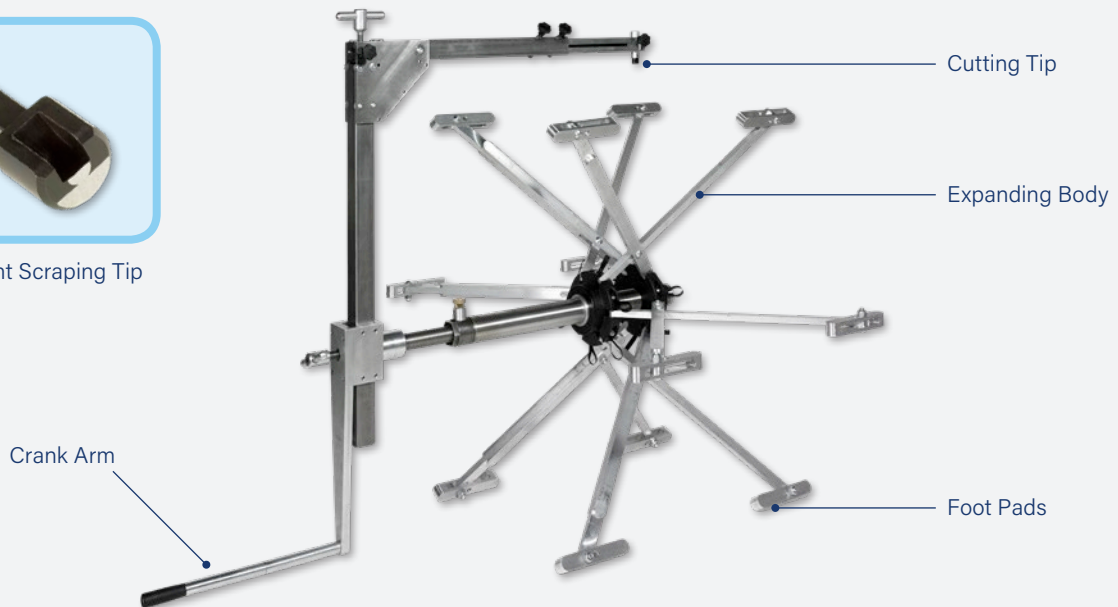
Code

Description

01-06-201	Uniprep 7 rotary scraping tool 630-1200mm without tool box
01-07-042	Replacement scraping tip single point large head



Single Point Scraping Tip



Caldertech Europe
Bretfield Court, Dewsbury,
West Yorkshire WF12 9BG, UK
T: +44 (0)1924 469571
E: info@caldertech.com

Caldertech Australasia
Unit 3/30 Juna Drive,
Malaga WA 6090, Australia
T: +61 (0)8 9209 1132
E: sales@caldertech.com.au

